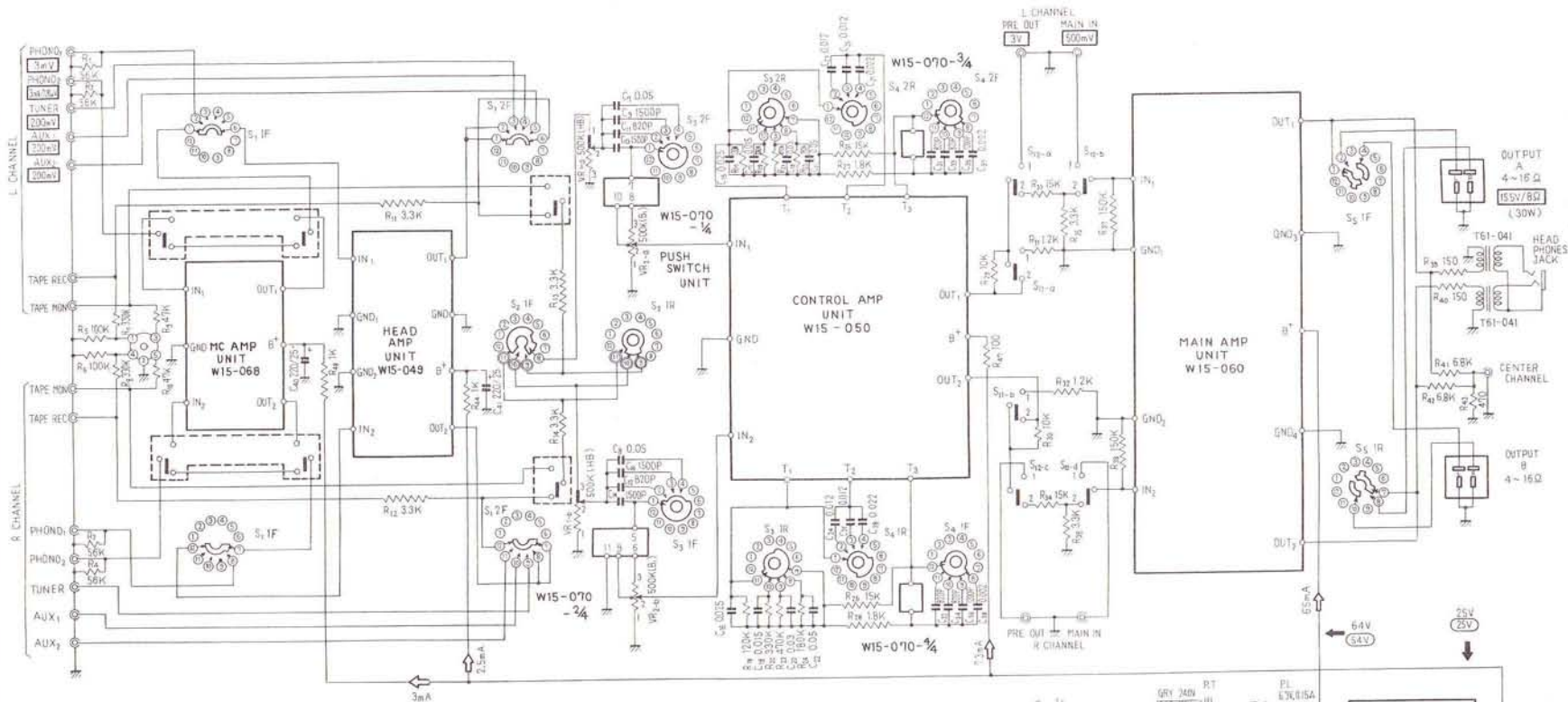


# Model SA-700 / F



## SWITCHES

- S<sub>1</sub> INPUT SELECTOR**  
 (1) PHONO 2  
 (2) PHONO 1  
 (3) TUNER  
 (4) AUX 1  
 (5) AUX 2

- S<sub>2</sub> MODE**  
 (1) STEREO REV  
 (2) STEREO NORM  
 (3) MONO L  
 (4) MONO R  
 (5) MONO L+R

- S<sub>3</sub> BASS CONTROL**  
 -3dB ~ +12dB (at 100Hz)

- S<sub>4</sub> TREBLE CONTROL**  
 -12dB ~ +3dB (at 10KHz)

- S<sub>5</sub> OUTPUT SELECTOR**  
 (1) POWER OFF  
 (2) A  
 (3) SPKR'S OFF  
 (4) B  
 (5) A+B

- S<sub>11</sub> MUTING** ① -20dB ② 0dB

- S<sub>12</sub> PRE & MAIN** ① SEP. ② INTER-COMP

⊠ INCLUDED IN W15-070 (PUSH SWITCH UNIT).

## POTENTIOMETERS

VR<sub>1</sub> BALANCE CONTROL

VR<sub>2</sub> VOLUME CONTROL

## RESISTORS

NON MARK = OHM, K = KILOHM, M = MEGOHM

## CAPACITORS

NON MARK = μF  
 P = p.p.F

⇨ NO INPUT SIGNAL

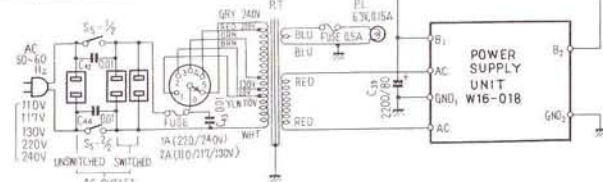
⇩ DC VOLTAGE

Y = NO SIGNAL INPUT

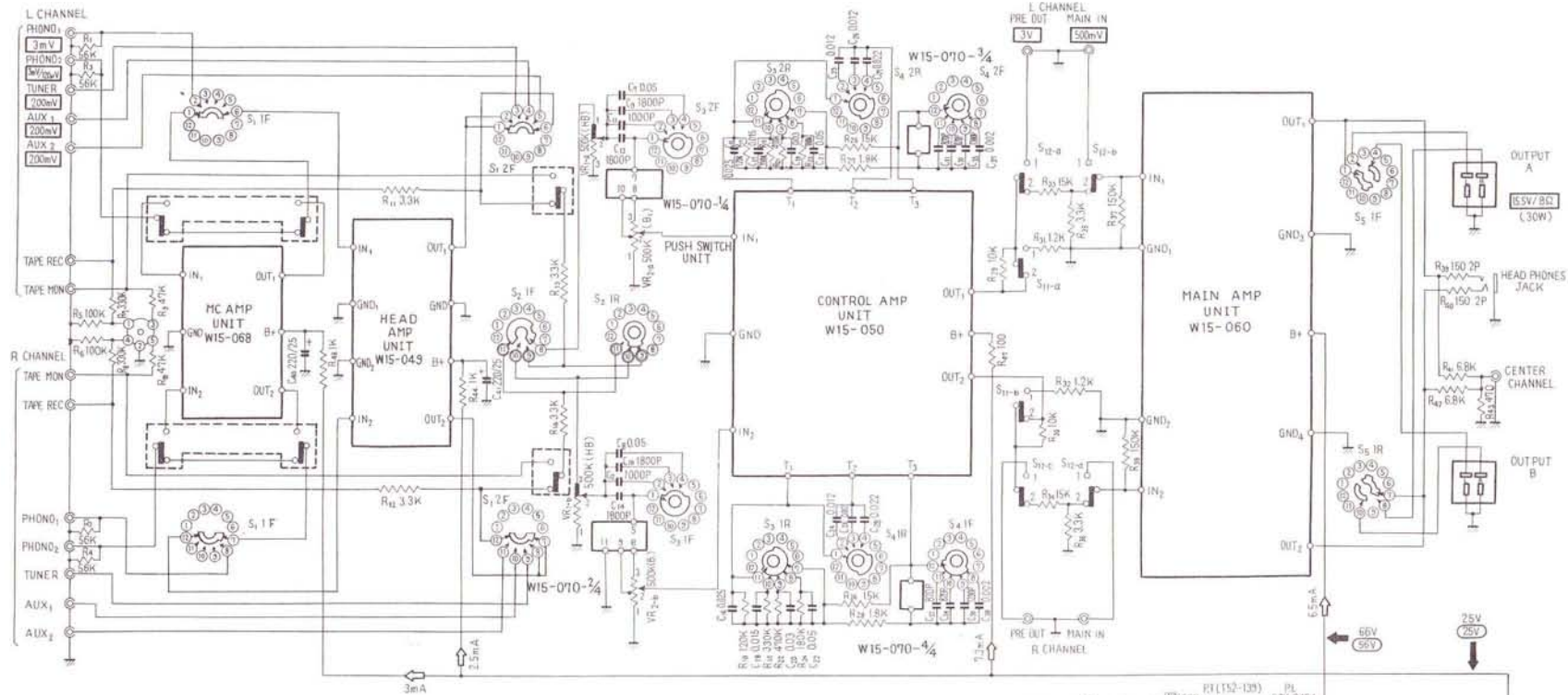
⊖ = AT 30W/8Ω ONE CHANNEL OUTPUT

⊡ = SIGNAL VOLTAGE AT 30W/8Ω (1KHz)

ITEM NO.	VACANT
R <sub>1</sub> ~ R <sub>46</sub>	R <sub>5</sub> , 10, 45, 46
C <sub>1</sub> ~ C <sub>13</sub>	C <sub>14</sub> ~ 22, 30



# Model SA-700 / K



## SWITCHES

### S<sub>1</sub> INPUT SELECTOR

- (1) PHONO<sub>1</sub>
- (2) PHONO<sub>2</sub>
- (3) TUNER
- (4) AUX<sub>1</sub>
- (5) AUX<sub>2</sub>

### S<sub>2</sub> MODE

- (1) STEREO REV.
- (2) STEREO NORM
- (3) MONO L
- (4) MONO R
- (5) MONO L+R

### S<sub>3</sub> BASS CONTROL

-3dB ~ +12dB (at 100Hz)

### S<sub>4</sub> TREBLE CONTROL

-12dB ~ +3dB (at 10KHz)

### S<sub>5</sub> OUTPUT SELECTOR

- (1) POWER OFF
- (2) A
- (3) SPKR'S OFF
- (4) B
- (5) A + B

### S<sub>11</sub> MUTING

①-20dB ② 0dB

### S<sub>12</sub> PRE & MAIN

①SEPR ②INTER-COUP

INCLUDED IN W15-070 (PUSH SWITCH UNIT)

## POTENTIOMETERS

### VR<sub>1</sub> BALANCE CONTROL

### VR<sub>2</sub> VOLUME CONTROL

## RESISTORS

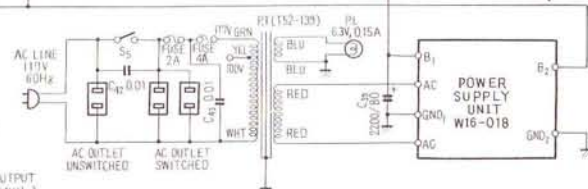
NON MARK: Ω, K, M; 100Ω, 1K, 10K, 100K, 1M, 10M, 100M

## CAPACITORS

NON MARK: μF, P, μμF

- ↔ NO INPUT SIGNAL DC CURRENT
- ↔ DC VOLTAGE
- V NO SIGNAL INPUT
- ⊖ AT 30W/BD. ONE CHANNEL OUTPUT
- ⊖ SIGNAL VOLTAGE AT 30W/BD. (LPHz)

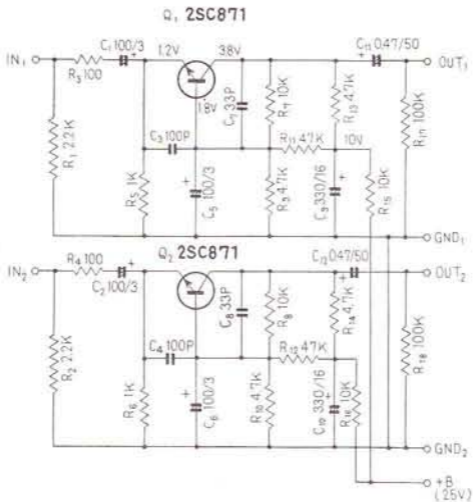
ITEM NO.	VACANT
R <sub>1</sub> ~ R <sub>10</sub>	RES. N. 05-45
C <sub>1</sub> ~ C <sub>10</sub>	C <sub>1</sub> -C <sub>10</sub> 25, 30



# MC AMP UNIT W15-068

MC AMP UNIT

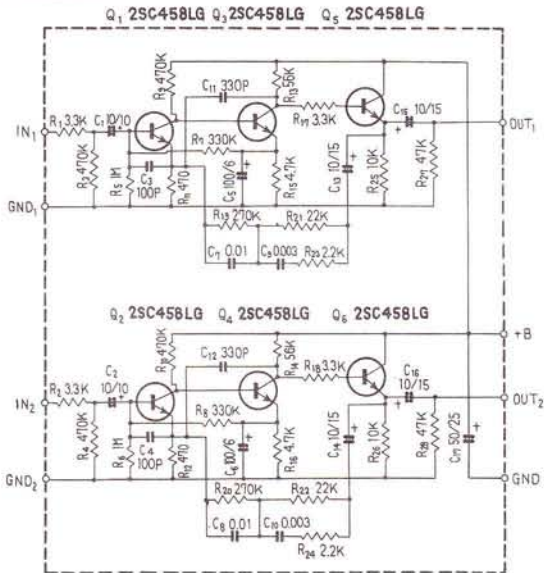
W15 - 068



# HEAD AMP UNIT W15-049

HEAD AMP UNIT

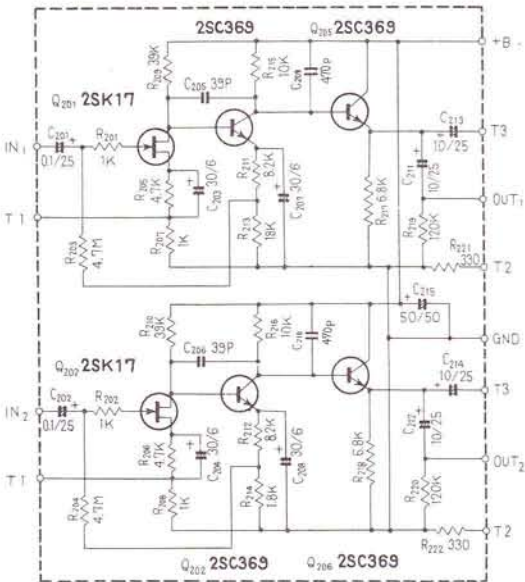
W15-049



# CONTROL AMP UNIT W15-050

CONTROL AMP UNIT

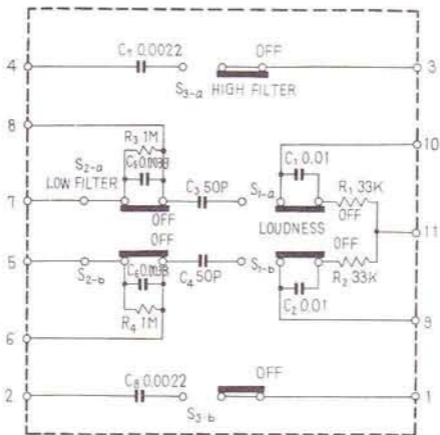
W15-050



# PUSH SWITCH UNIT W15-070

PUSH SWITCH UNIT

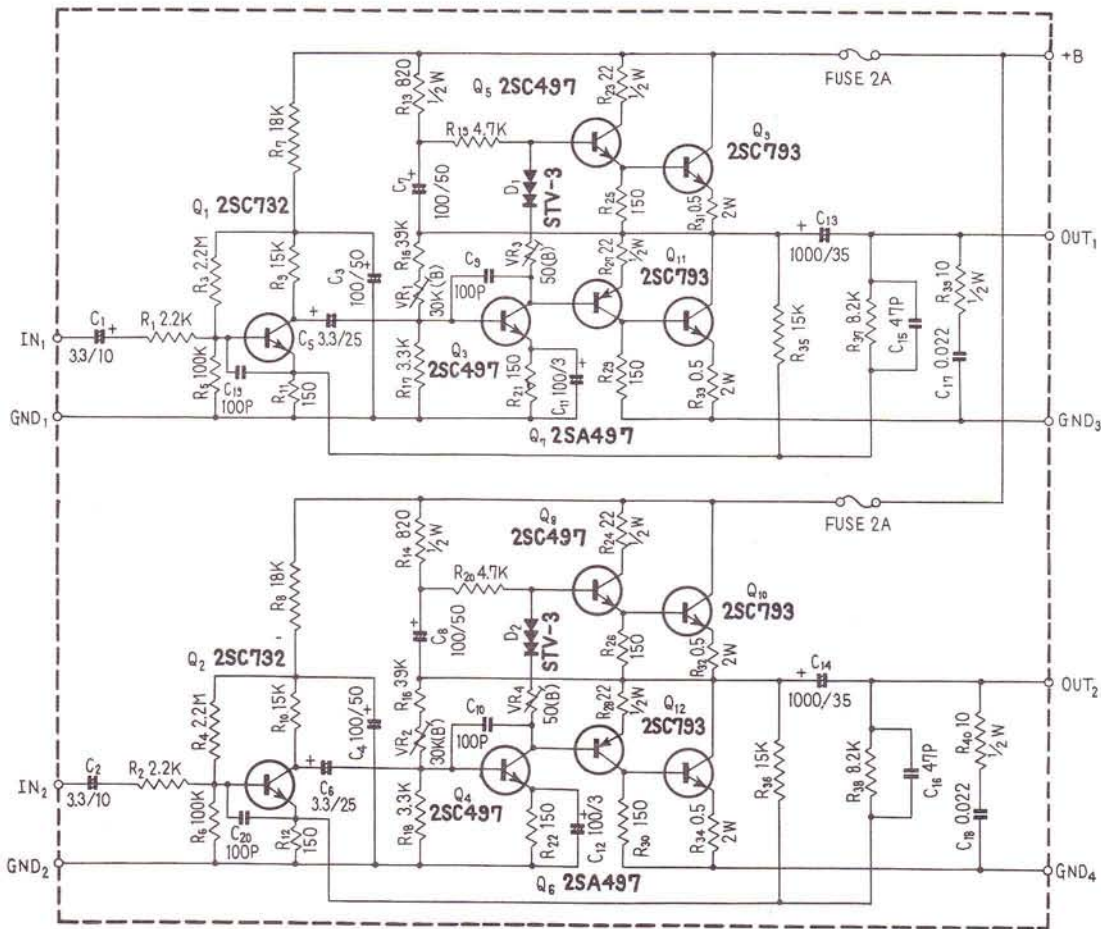
W15-070



# MAIN AMP UNIT W15-060

MAIN AMP UNIT

W15-060



# POWER SUPPLY UNIT W16-018

POWER SUPPLY UNIT

W16-018

